

Instructions for use

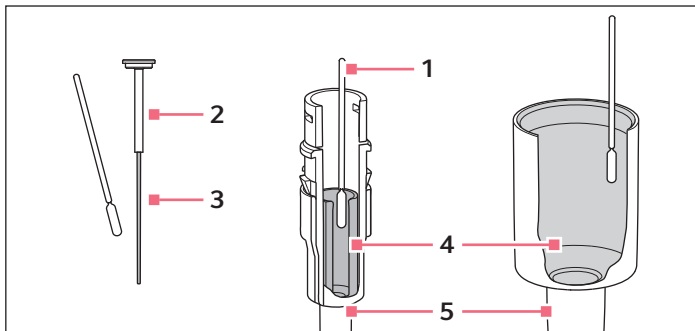
Grease for pipettes

English (EN)

This document complements the operating manual for the pipette and does not replace it. Read the operating manual of the pipette for details on how to disassemble the lower part. The current version can be found on the Internet under www.eppendorf.com.

1 Lubricating the piston or cylinder

The piston or the cylinder in the lower part of the pipette must be relubricated after cleaning or after decontamination.



1 Cotton swab

2 Piston $\leq 20 \mu\text{L}$

3 Running surface

4 Cylinder

5 Lower part $> 20 \mu\text{L}$

Instructions for use

Grease for pipettes

English (EN)

1.1 Lubricating the piston

Prerequisites

- For volumes $\leq 20 \mu\text{L}$.
- Lower part is disassembled.

1. Place a small amount of grease on the cotton swab.
2. Apply a thin film of grease to the running surface of the piston.

The lower part can now be reassembled.

1.2 Lubricating the cylinder

Prerequisites

- For volumes $> 20 \mu\text{L}$.
- Lower part is disassembled.

1. Place a small amount of grease on the cotton swab.
2. Apply a thin film of grease to the inner wall of the piston.

The lower part can now be reassembled.

2 Ordering information

Order no. (International)	Order no. (North America)	Description
0013 022.153	0013022153	Grease for pipettes

Your local distributor: www.eppendorf.com/contact

Eppendorf AG · 22331 Hamburg · Germany

eppendorf@eppendorf.com · www.eppendorf.com